

► SSR HeatSink

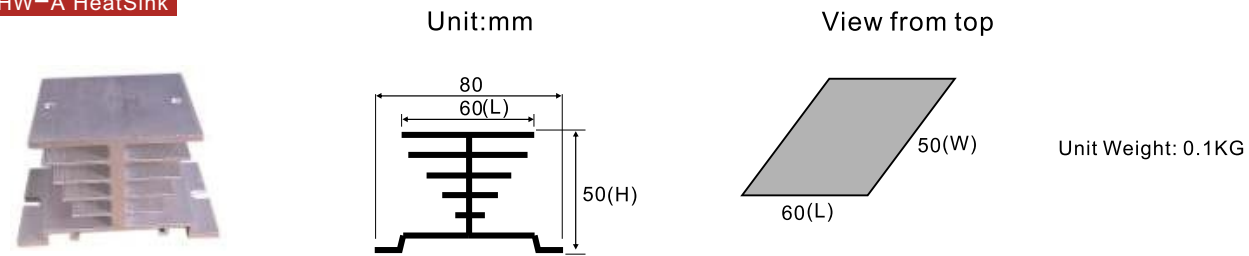
- Heatsinks for SSR,SCR.
- Cooling Fans for SSR

**SSR and HeatSink Compatible checking list**

ITEM NO	SIZE	Compatible SSR	Remark
HW-A	60x50x50	10A/25A	Single Phase SSR
HW-B-1	72x100x50	40A	Single Phase SSR
HW-B-2	100x100x50	60A	Single Phase SSR
HW-C	80x80x70	80A/100A/120A	Single Phase SSR
HW-D	150x88x35	10A/25A	Three Phase SSR
HW-E-1	110x80x80	40A	Three Phase SSR
HW-E-2	150x80x80	60A	Three Phase SSR
HW-F-1	110x125x135	80A	Three Phase SSR
HW-F-2	150x125x135	100A/120A	Three Phase SSR
HW-F-3	170x125x135	150A/200A	Three Phase SSR

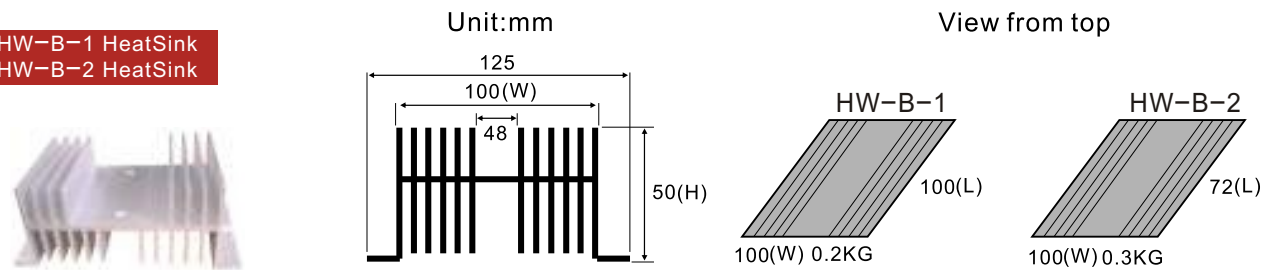
**Ordering Information(For Single Phase SSR)**

HW-A HeatSink



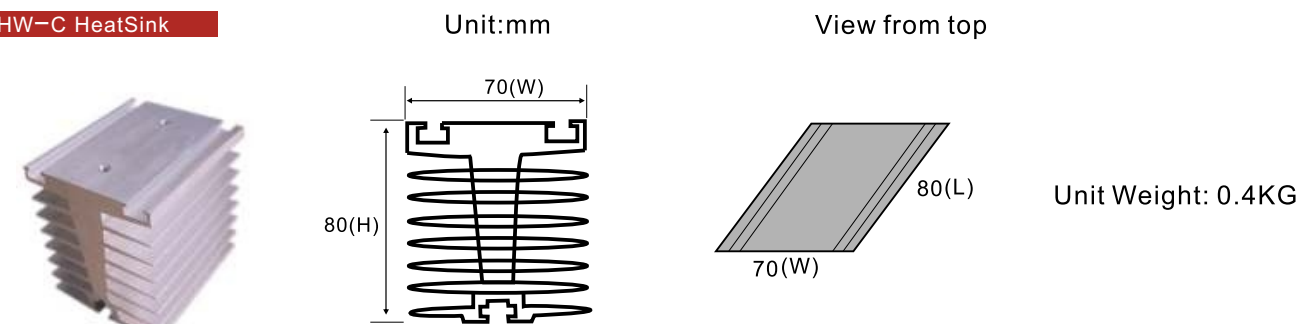
HW-A:Compatible with Single Phase SSR with load at 10A and 25A(60\*50\*50)

HW-B-1 HeatSink  
HW-B-2 HeatSink



HW-B-1: Compatible with Single Phase SSR with load at 40A(72\*100\*50)  
HW-B-2: Compatible with Single Phase SSR with load at 60A(100\*100\*50)

HW-C HeatSink

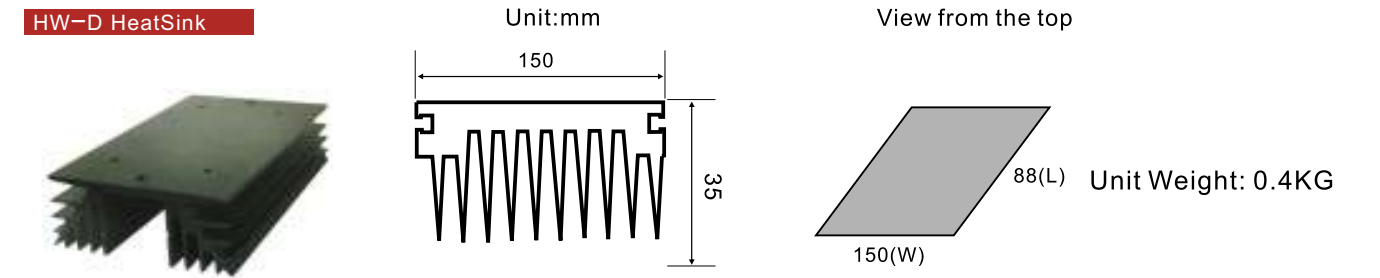


Compatible SSR: Single Phase SSR with load at 80A/100A/120A.(80\*70\*80)

► SSR HeatSink

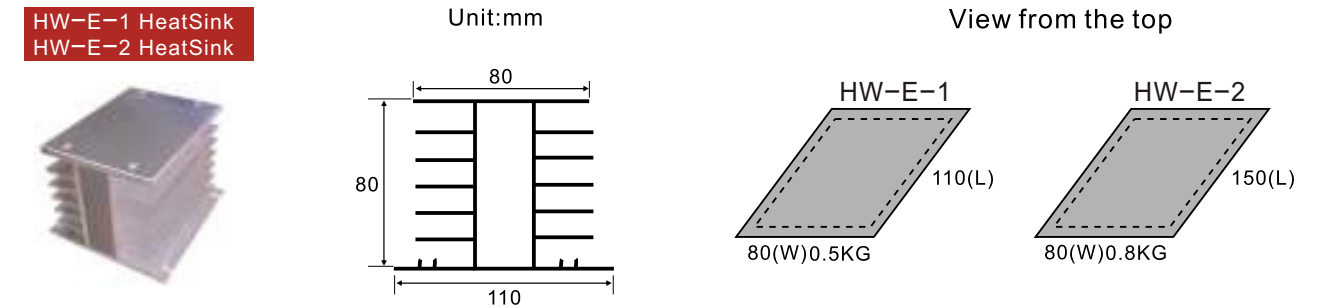
**Ordering Information(For Three Phase SSR)**

HW-D HeatSink



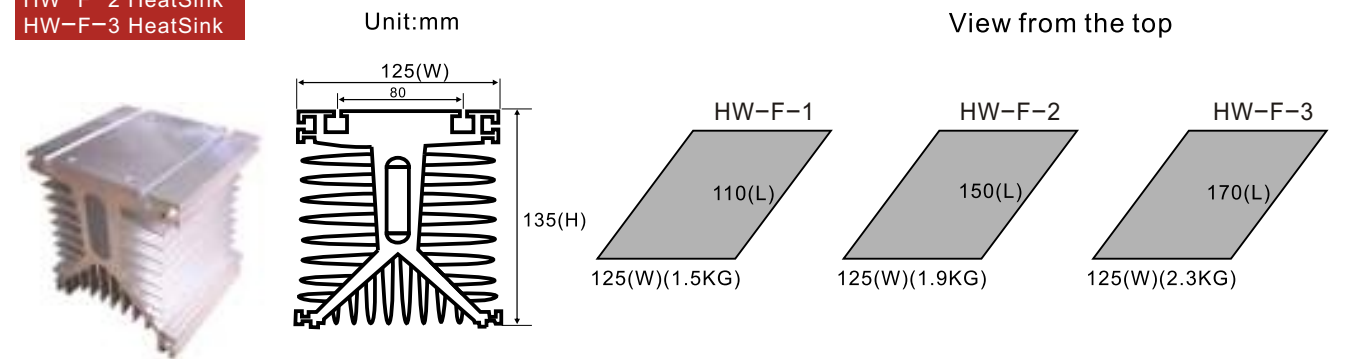
Compatible SSR: Three Phase SSR with load at 10A/25A.(150\*88\*35)

HW-E-1 HeatSink  
HW-E-2 HeatSink



HW-E-1:Compatible with three phase SSR with load at 40A(110\*80\*80)  
HW-E-2:Compatible with three phase SSR with load at 60A(150\*80\*80)

HW-F-1 HeatSink  
HW-F-2 HeatSink  
HW-F-3 HeatSink



HW-F-1: Compatible with three phase SSR with load at 80A(110\*125\*135)  
HW-F-2: Compatible with three phase SSR with load at 100A/120A(150\*125\*135)  
HW-F-3: Compatible with three phase SSR with load at 150A/200A(170\*125\*135)